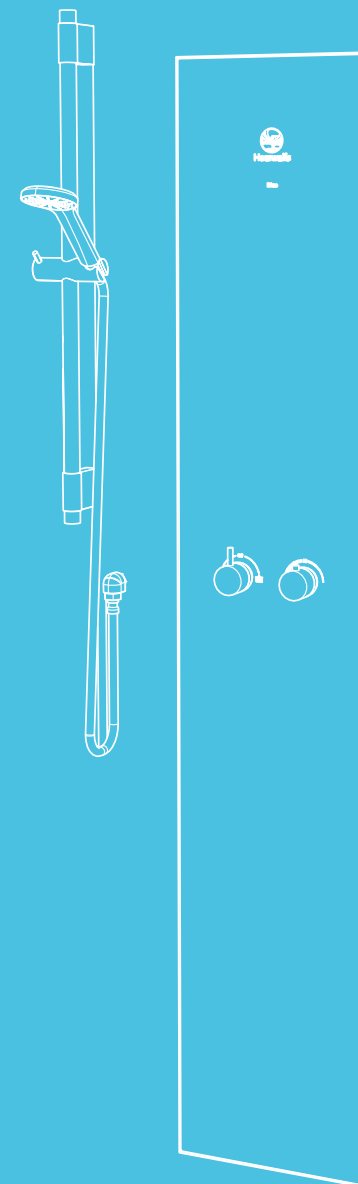




Hamwells®

Blue

Installation manual Blue 12, 16, 21 & HE



EN V4.5



Hamwells®

Copyright

This document is copyrighted and any reproduction of all or part of this document is strictly prohibited, except with the written permission of Hamwells Nederland B.V. The contents of this document are subject to change without notice. The illustrations in this manual may differ from the delivered products. The product shown is for illustration purposes and may differ in color or model from the delivered product. Technical changes, text or printing errors reserved.



© 2022 Hamwells Nederland B.V.

Pelgrimsstraat 3, 3029 BH Rotterdam, the Netherlands

T +31 (0)85 - 303 64 96, E info@hamwells.com, I www.hamwells.com

V4.5



Contents

Safety instructions	4
Symbols	4
Warranty	5
Dimensions Blue basic	6
1. Installation Blue base	7
Installation instructions	8
Parts checklist	8
Parts Blue base	9
2. Installation options glass panel / thermostat / shower set	17
Parts checklist	18
3. Calibration and maintenance	28



Safety instructions

This installation guide refers to the Hamwells Blue 12, 16, 21 and HE. Here you will find all the steps you need to go through for a correct installation of the Blue. Use this manual as a guide only. We strongly recommend that you read this manual carefully before installing the Blue. Please store this installation manual carefully. This manual has been prepared for technically qualified personnel who observe the local safety regulations. These are persons who are technically skilled through education or training and who are familiar with the possible dangers and risks. They are also familiar with local regulations. They must also be in possession of the correct tools and all possible protective equipment.

Pay attention! This manual follows the applicable European guidelines.

The installation of the Blue must be carried out in accordance with locally applicable standards.

Symbols

The following marking conventions are used throughout this installation guide to draw attention to certain topics or actions.



Warning sign



Mandatory sign



Warranty

The Blue has been designed with the utmost care. Constructional changes or the use of non-original parts can lead to a safety risk or malfunction of the Blue. If warnings and safety instructions are not followed, there is a risk of danger to people, water damage or damage to the Blue.

Hamwells Nederland B.V. is not liable for unsafe situations, accidents and damage, which are the result of among other things:

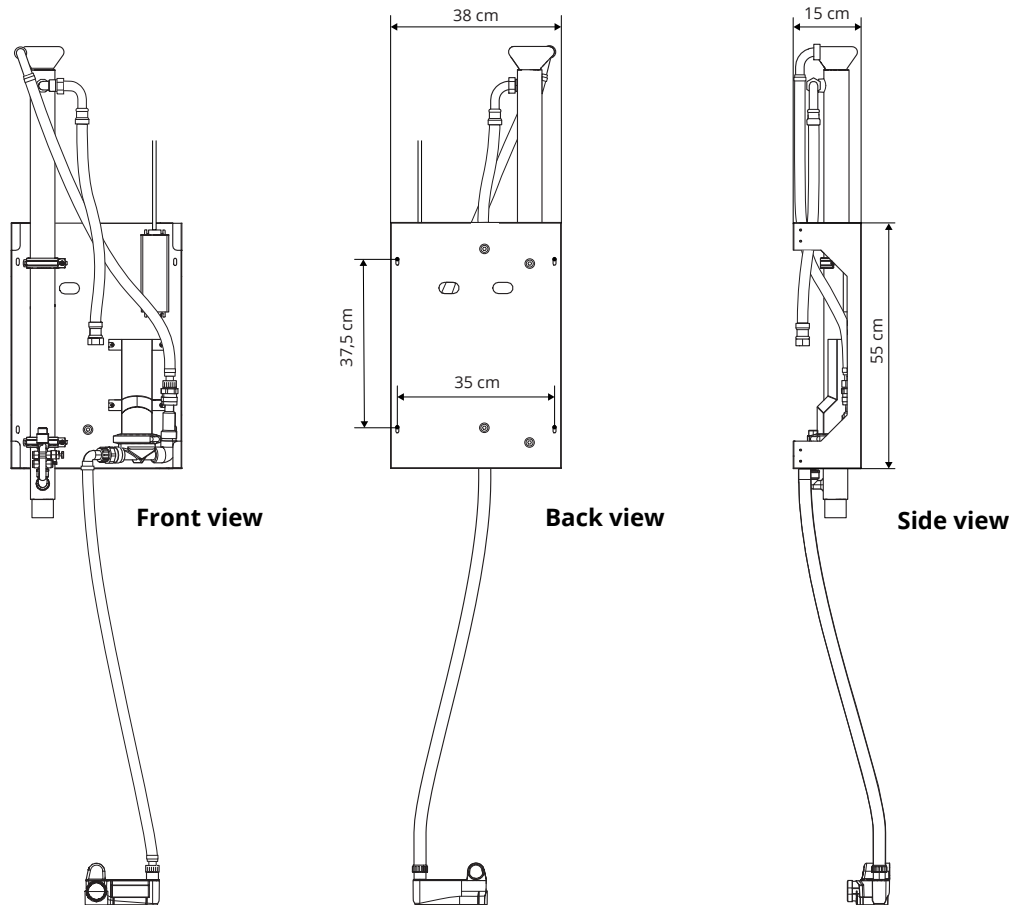
- Incorrect installation and/or maintenance of the Blue.
- Failure to follow warnings or regulations as shown on the Blue or in the installation manual.
- Use of the device or parts for purposes other than the water line described in this manual.
- Incorrect assembly or alterations by the customer or third parties. This also includes the use of non-original replacement parts.
- Incompetence of the mechanic, improper use of the parts.



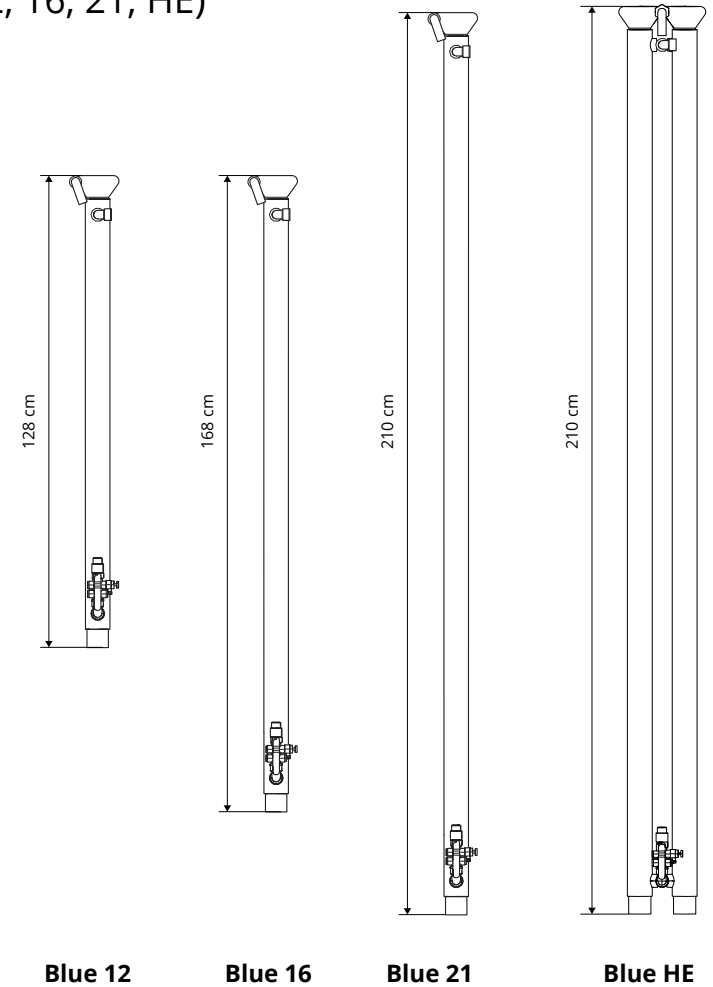
Dimensions Blue basic

Power supply (mains): 100-240 VAC
Max. power consumption: 42W

**Including WWHR pipe of desired length*



Dimensions WWHR pipes (12, 16, 21, HE)



1. Installation Blue base



Installation instructions

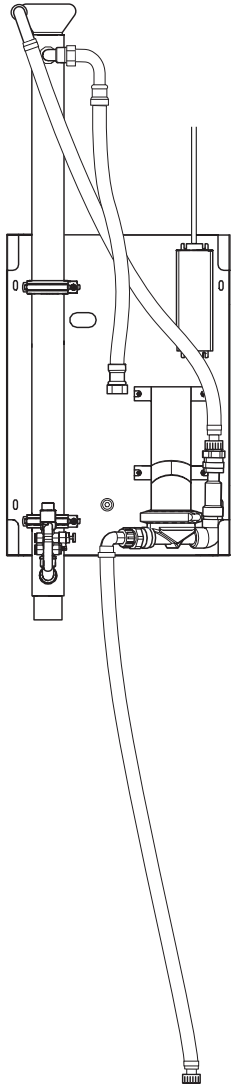
This chapter explains how to install the Blue basic. To install the glass panel / thermostat / shower set, go to chapter 2 after installing the Blue basic. Installation steps specific to the Blue HE are included separately. Tools such as drills, screwdrivers, mounting kit and wrenches are not included.

Parts checklist

The parts of the Blue base are delivered complete. These must be installed per component at the relevant location. Check that the product is complete and free of damage. In case of damaged or missing parts, please contact your supplier.

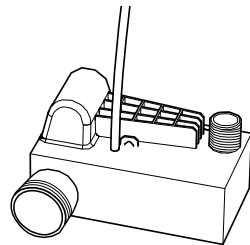


Parts Blue basic

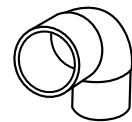


1x Blue basic pre-assembled:

- WWHR (Waste Water Heat Recovery) frame
- WWHR pipe (12, 16, 21, HE)
- Pump
- Power supply with cable without plug
- Water line (100 cm) WWHR-pipe to pump
- Water line (100 cm) sensor unit to pump



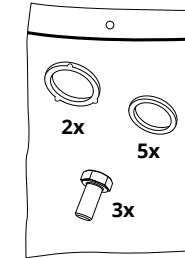
1x sensor unit



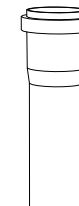
1x 32mm bend



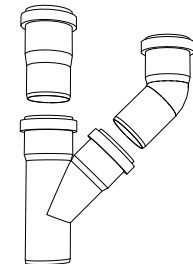
1x water line (50 cm, cold tap water)



1x water line (50 cm, cold tap water)



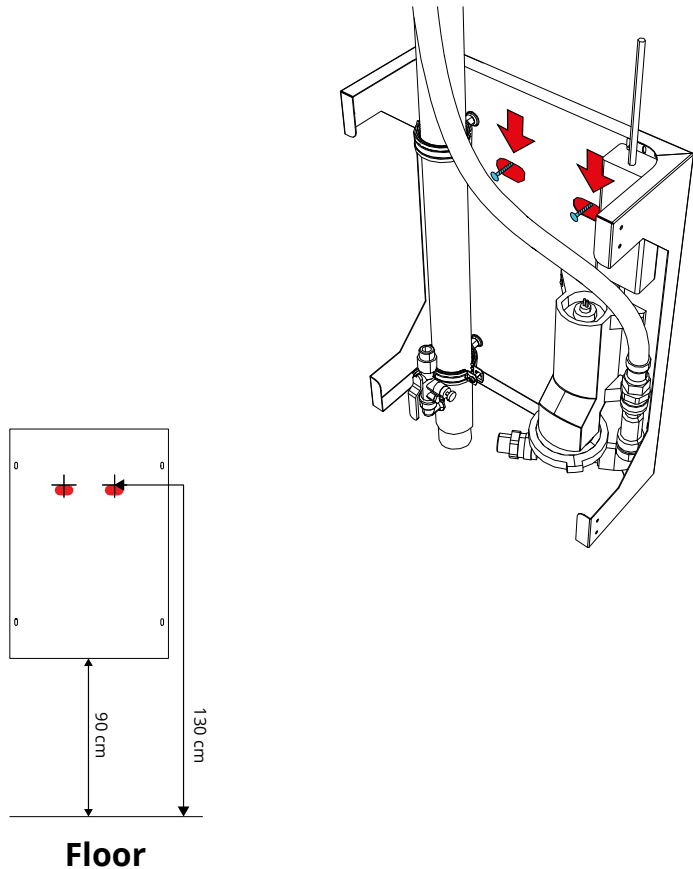
1x drain kit (12, 16, 21)



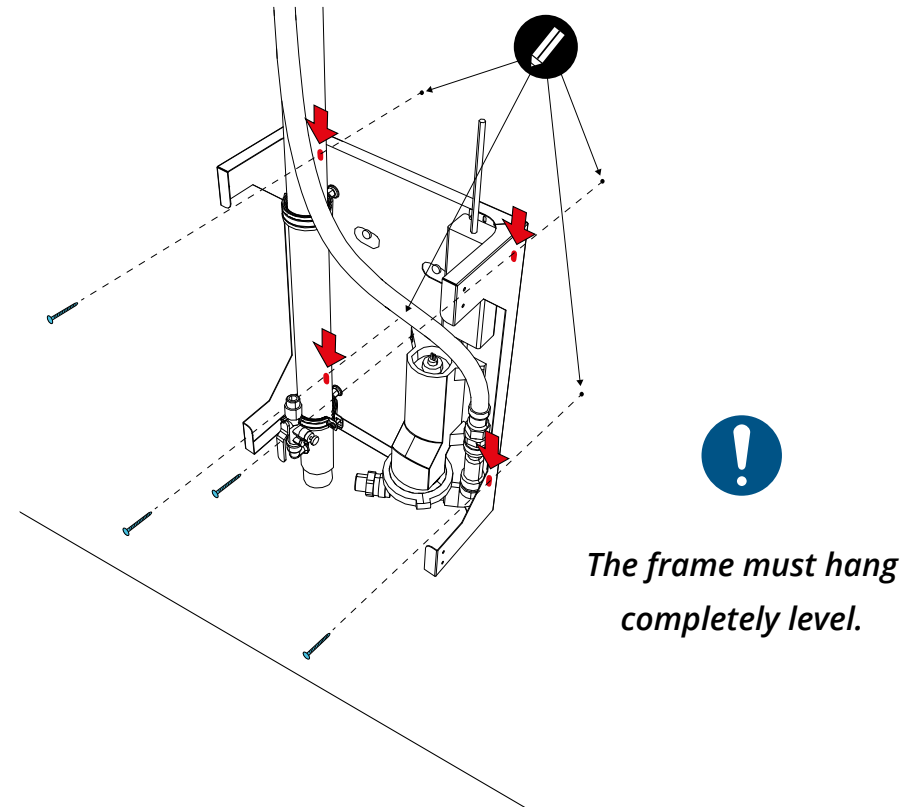
1x drain kit (HE)



1. Temporarily hang the installation frame on the wall using two screws



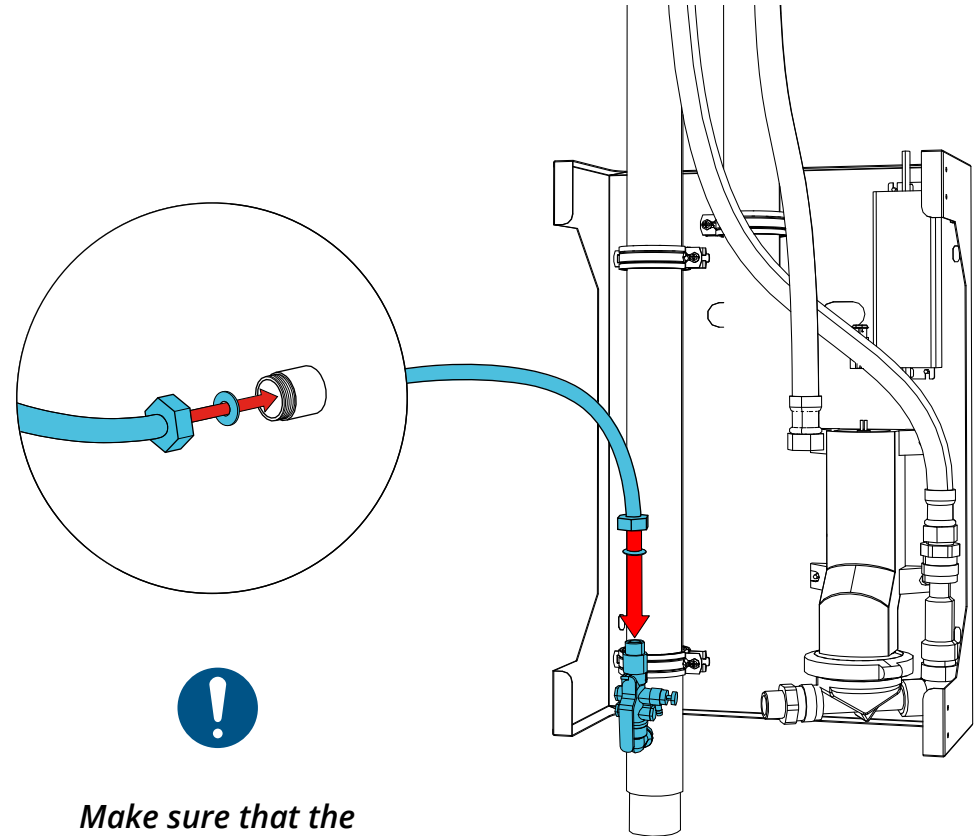
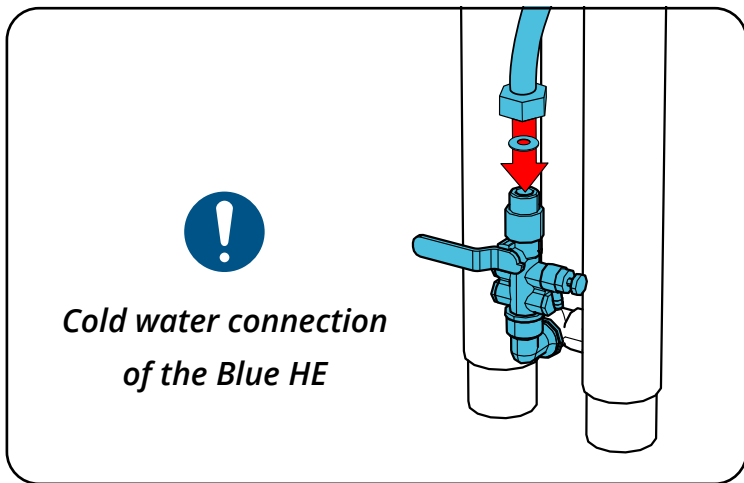
2. Level the installation frame and mark the (mounting) holes. Subsequently, drill the holes and screw the frame in place.





3. Connect the cold water supply

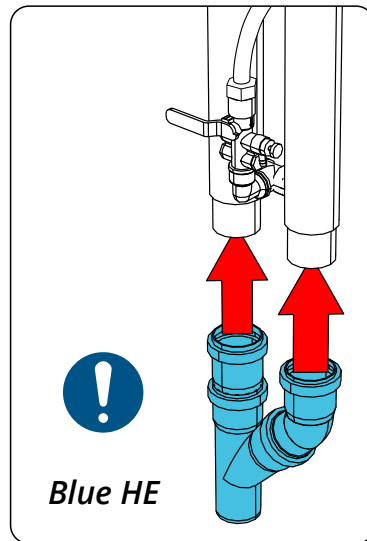
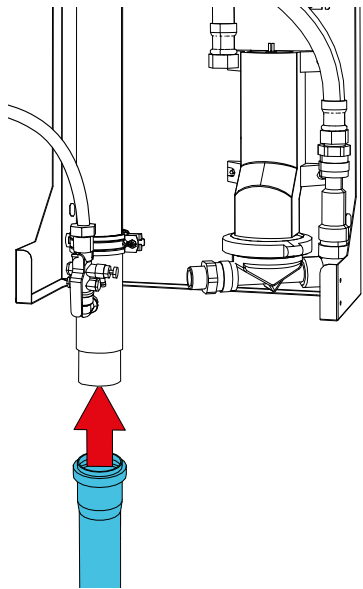
Connect the cold water supply to the WWHR inlet using a flexible water line.



*Make sure that the
water line has a gasket.*



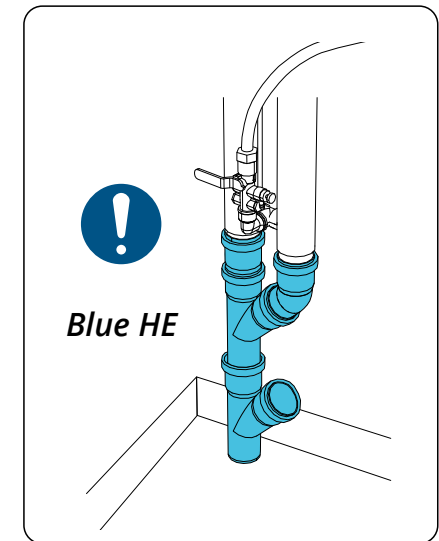
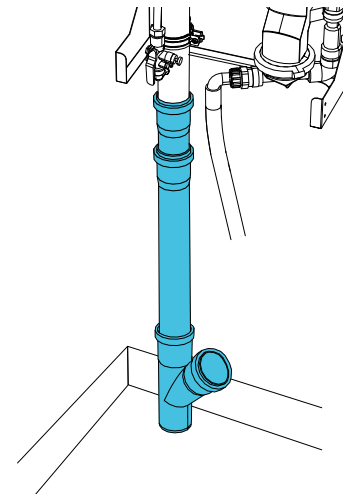
4. Connect the drain set to the WWHR pipe(s)



5. Connect the drain set to the sewer system

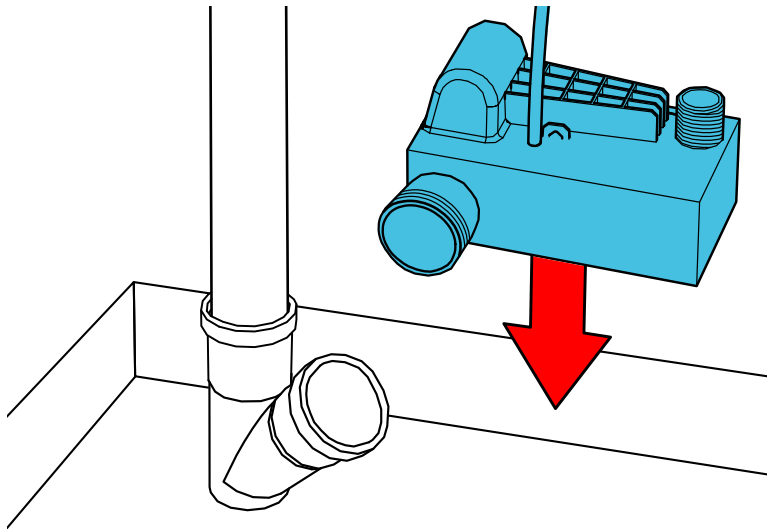


Use the proper drain pipes and gaskets to connect the drains. The WWHR has drain pipes with a 50mm diameter.



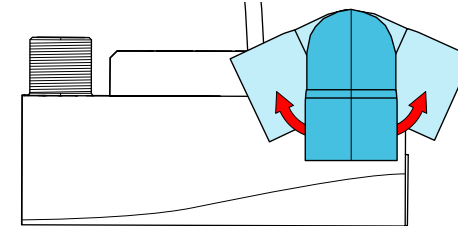
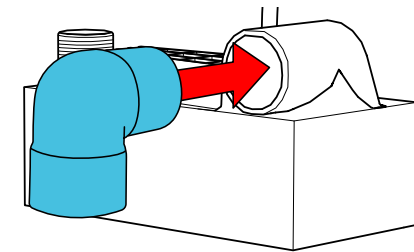


6. Place and level the sensor unit.



We do not recommend pouring concrete around the sensor unit.

7. Connect the supplied bend (32 mm) to the back of the sensor unit and connect it to your drain.



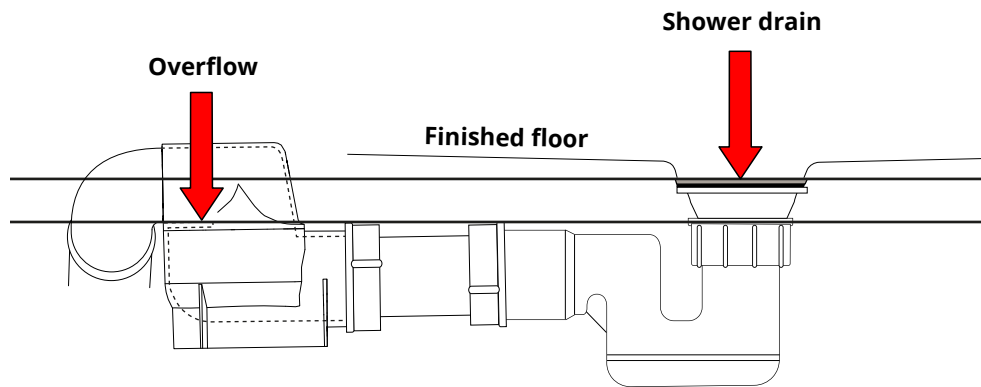
Use PVC adhesive after you have connected the bend to the drain.



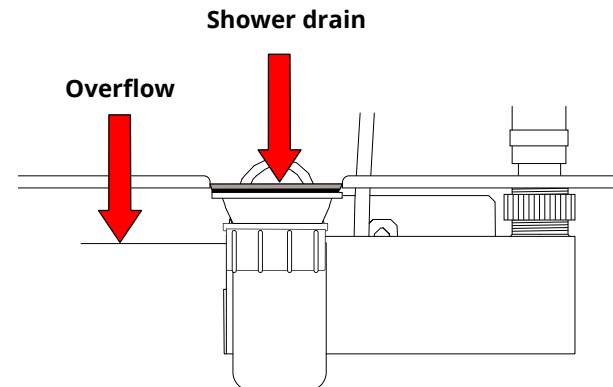
7. Connect a siphon (40 mm) to the sensor unit.



Make sure that the overflow is lower than the shower drain.



Side view



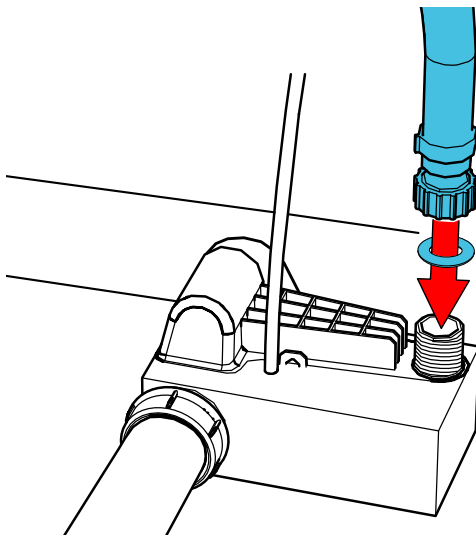
Front view



8. Connect the water line to the sensor unit



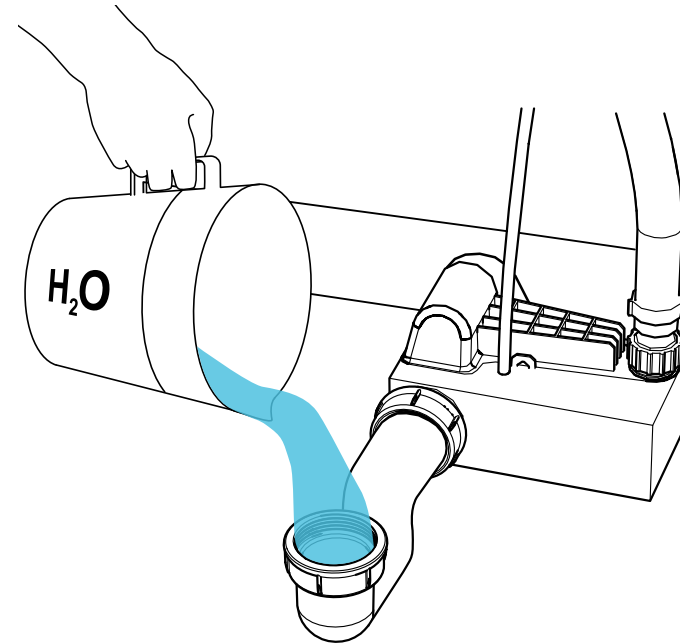
Make sure that the water line has a gasket.



9. Perform the drain test



By pouring water into the siphon, you test whether all drain parts are watertight.





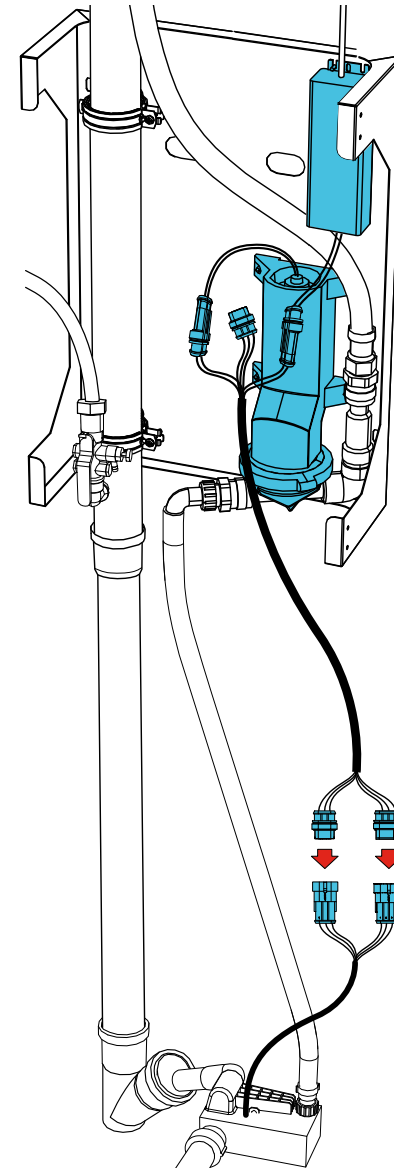
10. Connect the wiring harness to the sensor unit



Only connect the main power after everything else is connected!

11. Check if the Blue is working properly

(See chapter 3. Calibration and maintenance.)



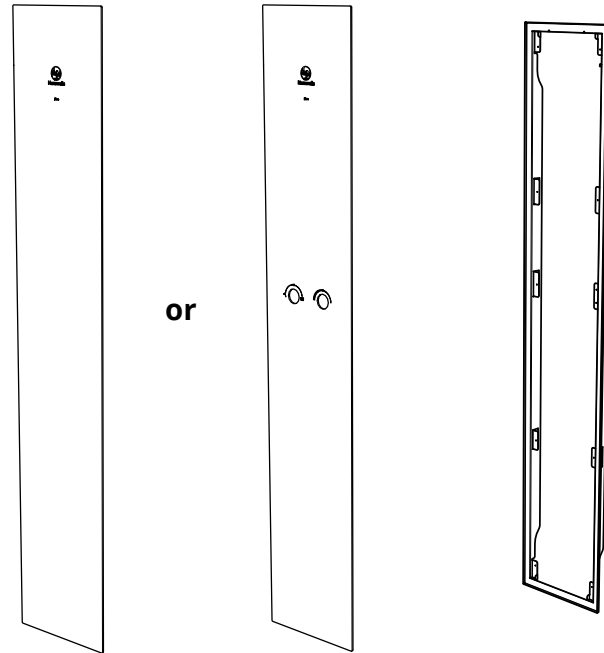
2. Installation options glass panel / thermostat / shower set



! Parts checklist

The glass panel with or without holes / thermostatic tap / shower set is supplied complete. These must be installed per component at the relevant location. Only use the supplied connection water lines for the supplied thermostatic tap and shower set. If you opt for a different type of thermostatic tap or shower set, you must purchase suitable connection water lines. Make sure that the product is complete and free of damage. In case of damaged or missing parts, please contact your supplier.

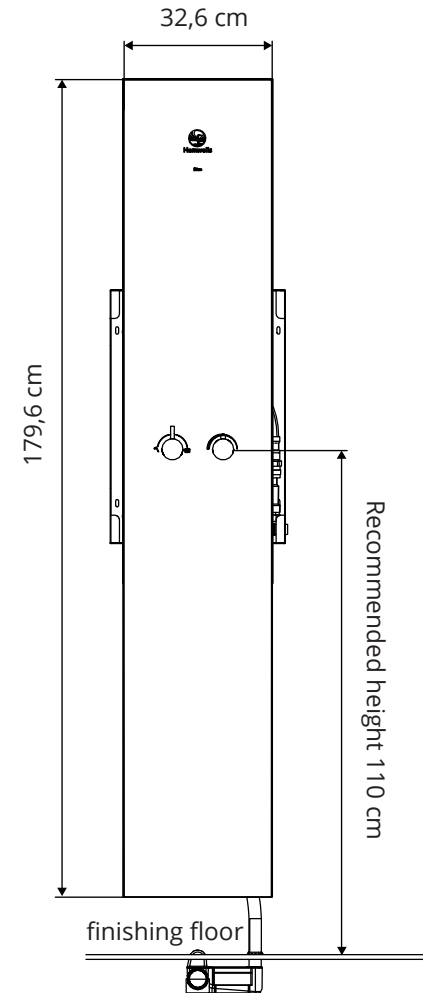
Parts glass panel



1x glass panel
(excl. thermostat)

1x glass panel
(incl. thermostat)

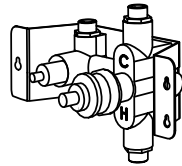
1x frame



Dimensions glass panel
(incl. frame)



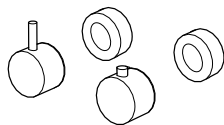
Parts thermostatic tap



1x thermostatic tap

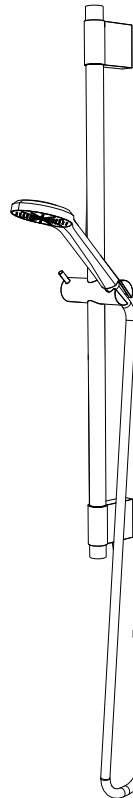


1x water line (50 cm)

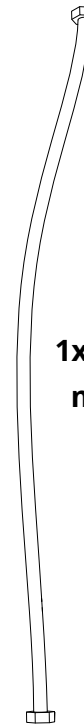


1x set of control buttons

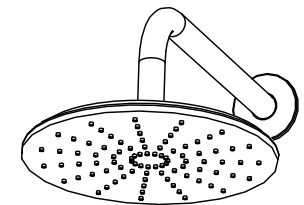
Parts shower set



1x hand shower set



1x water line (150 cm,
main shower to the
thermostatic tap)



1x main shower



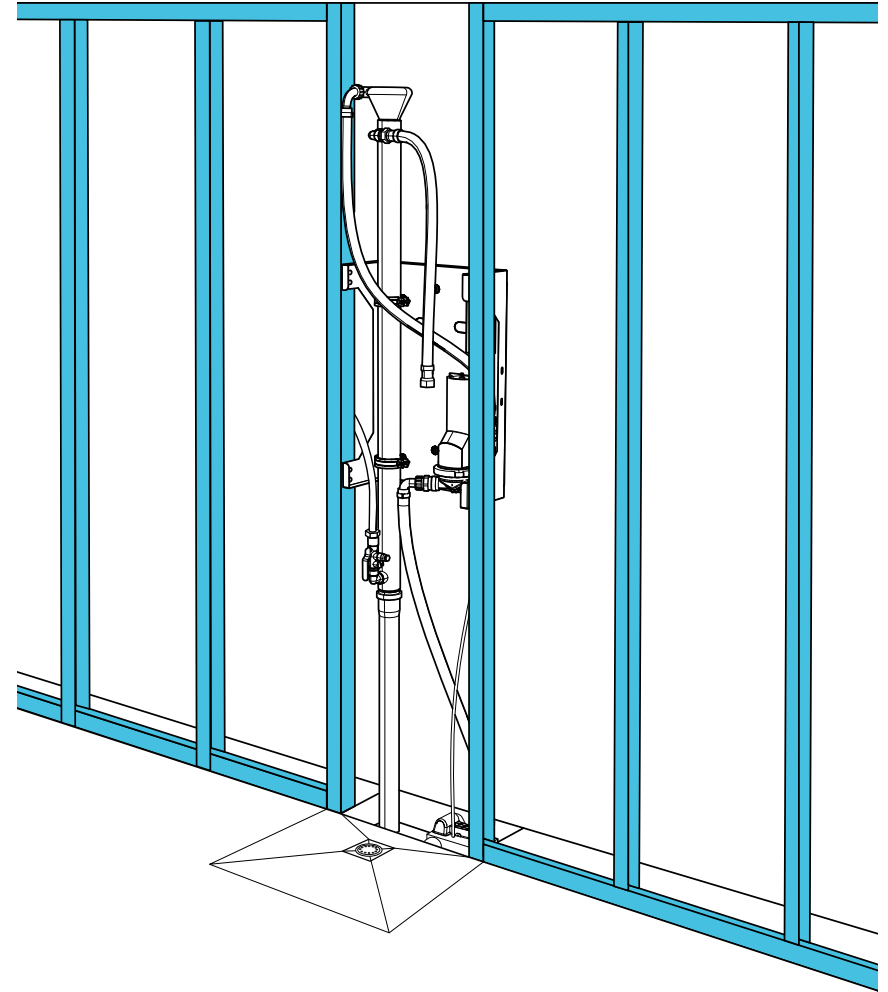
1x water line (80 cm,
thermostatic tap to
the hand shower)



1. Mount the frame of the secondary wall



There are various options such a metal stud or wooden framework. This varies by location. Frame and retaining wall are not included.





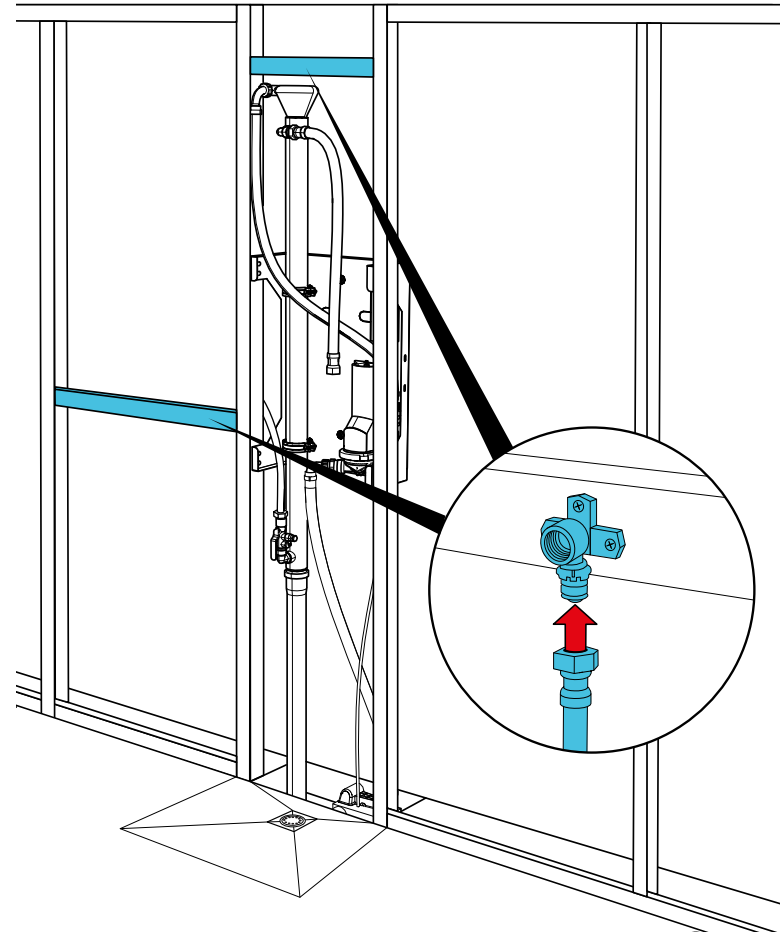
2. Mount wall plates (not included) and connect the water lines from the hand and main shower head.



The water line of the hand shower can be connected to either the left or right side. This is connected to the thermostatic tap later.



Make sure that the water lines have a rubber gasket.





3. Mark holes in the watertight wall in front of the frame and cut them out.

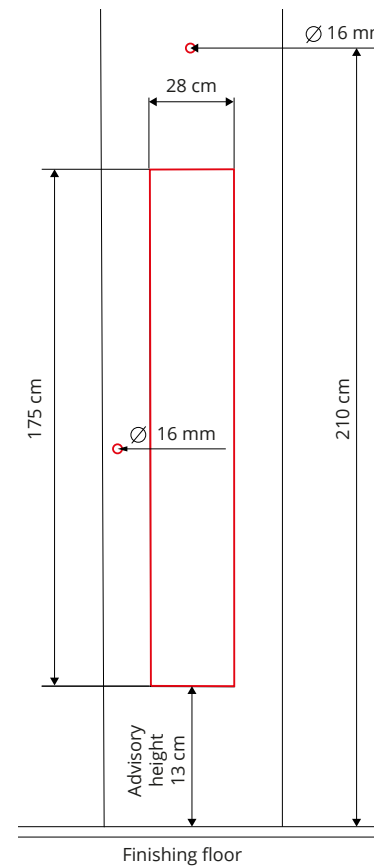


The waterproof wall is not included.

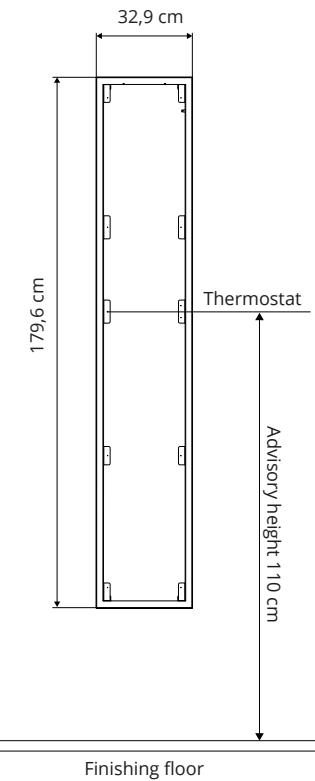


With the shower set option, you must also mark and cut out/drill the holes for the connections. Hand shower and main shower head can be placed at the desired height.

Dimensions holes wall

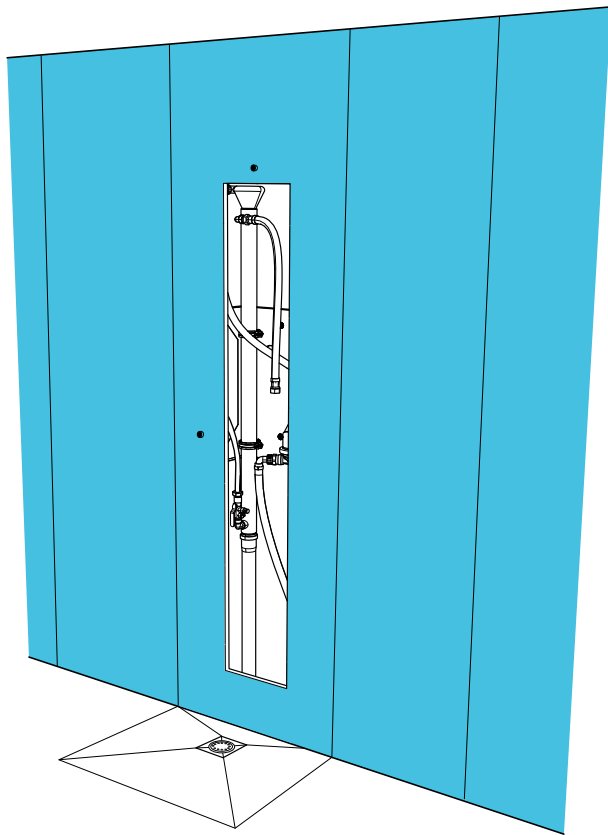


Dimensions frame

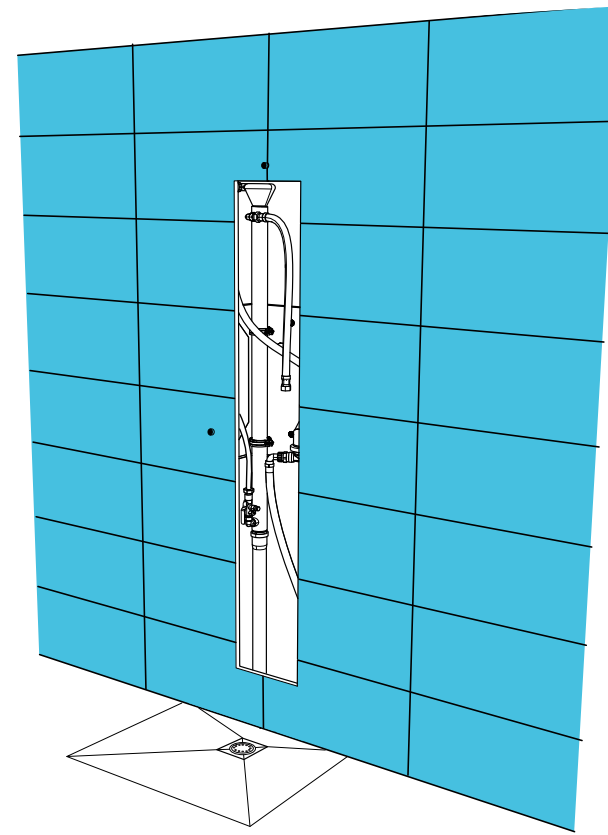




4. Place the waterproof wall



5. Tile the wall

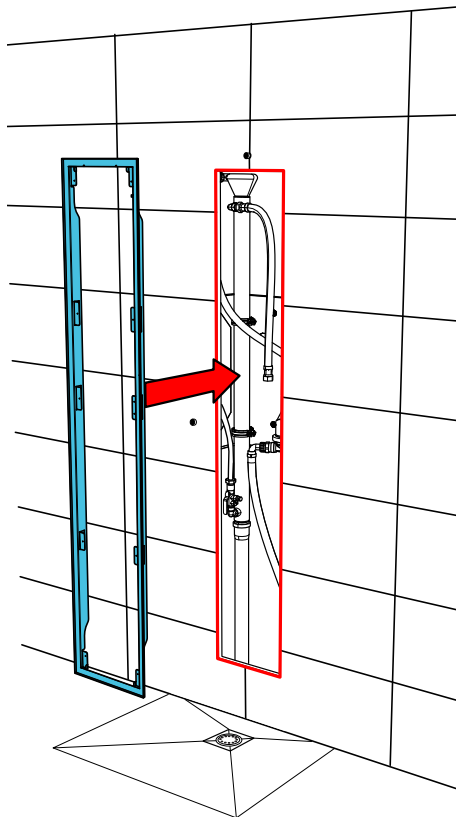




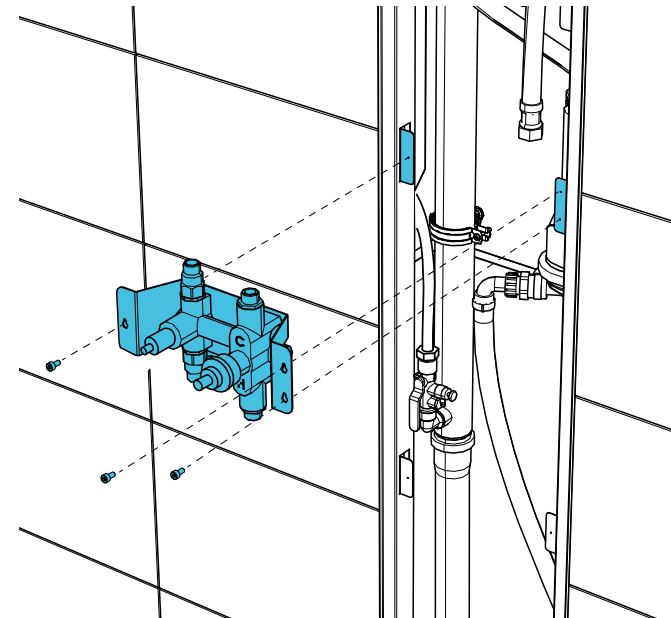
6. Place the frame on the tiles and seal the outer edge between the tiles and the frame with hybrid sealant



The frame has 2 cm mounting space all around.



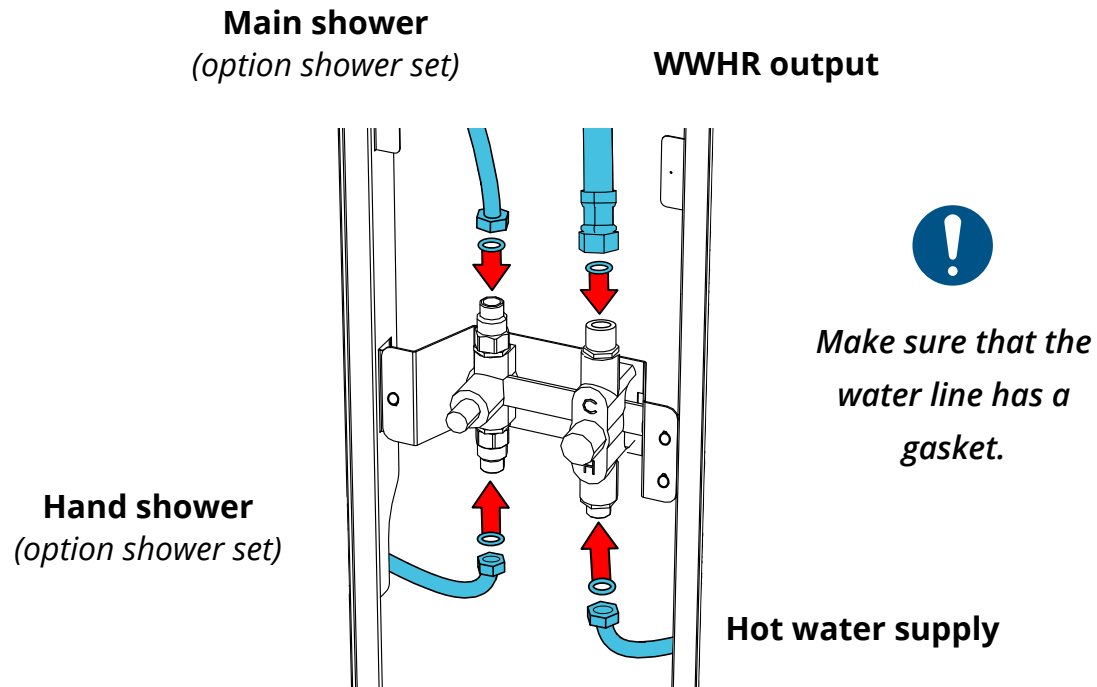
7. Install the thermostatic tap with the 3 screws



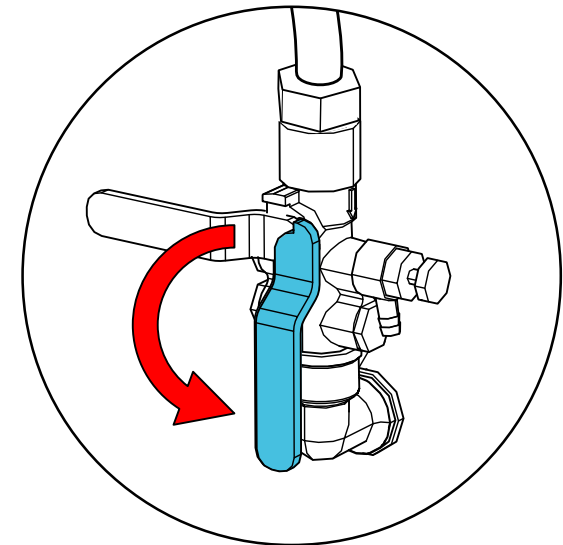
*The temperature stop must be calibrated at 38 °C.
See the manual supplied with the thermostat.*



8. Connect the water lines to the thermostatic tap



9. Open the WWHR valve



!
Handle in line with the valve



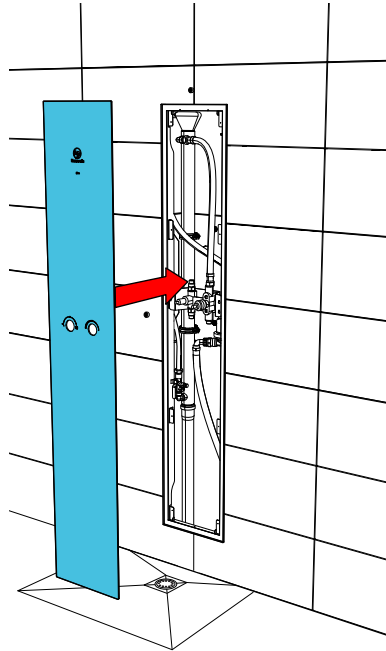
10. Install the glass panel



*The glass panel is secured with magnets.
Use glass suction cups to place the glass panel.*



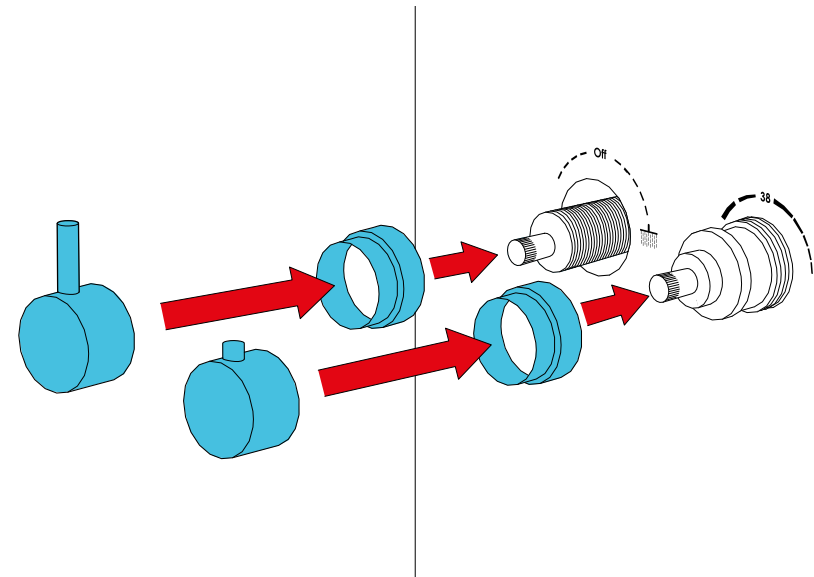
*Place the glass panel without holes if you
are not using the supplied thermostat.*



11. Install the control knobs

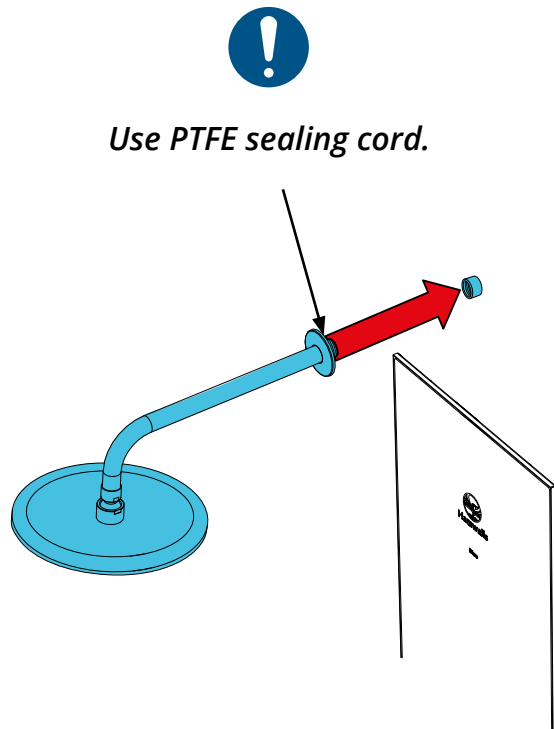


*Slide the knobs well back and secure
them with an Allen key.*

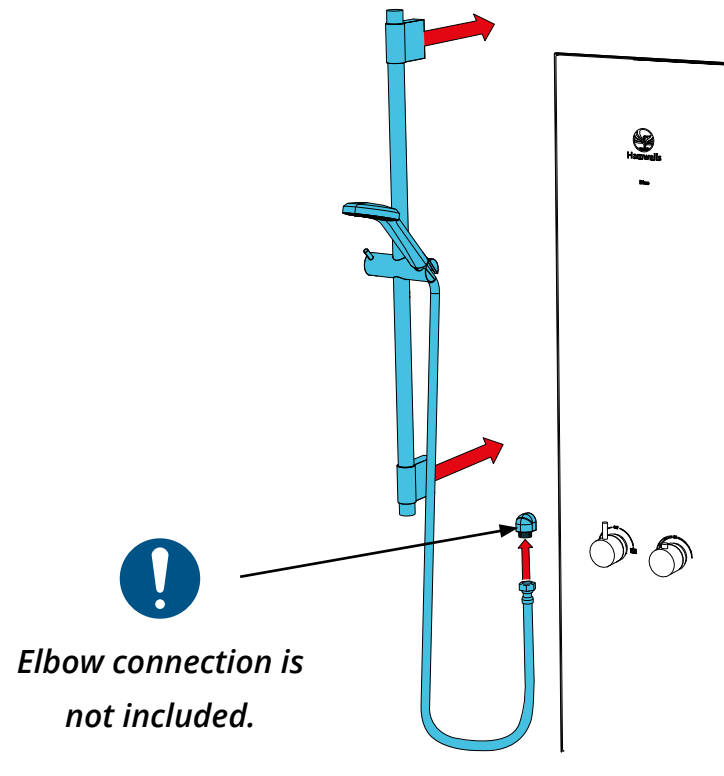




12. Mount the main shower



13. Mount the hand shower



3. Calibration and maintenance



1. Check if the Blue works properly



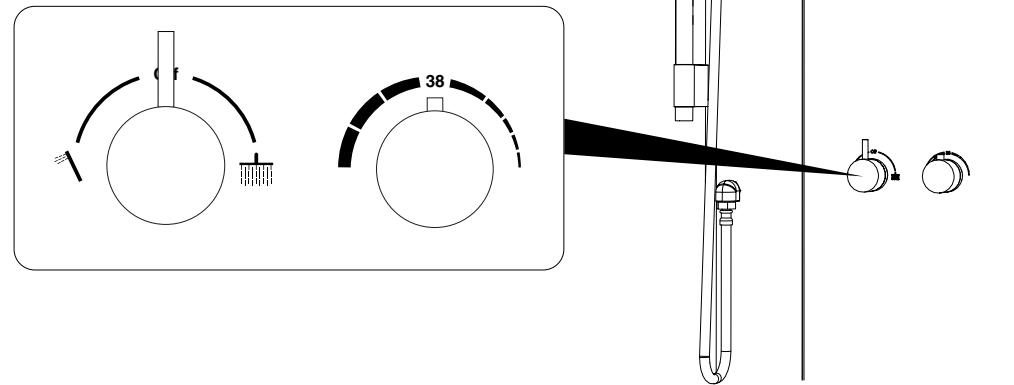
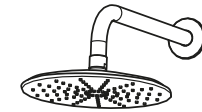
Fill the siphon and drain completely (approx. 2 liters of water).



When you turn on the Blue for the first time or when the power is reconnected or turned on, you will hear the sound of the pump pumping out the water. This will take about 15 to 30 seconds. The pump unit is being calibrated.



You can also watch the calibration video [here!](#)





2. Maintenance

To keep the Blue in perfect condition, it is recommended to clean the shower on a regular basis. This chapter describes the cleaning and maintenance intervals. The table below is an overview of maintenance.



We recommend that you never use aggressive cleaning agents such as thinner or acetone.

Action	How often
Front panel and drain*	Weekly
Replacement EA valve	Check yearly
Replacement EB valve	Every 10 years

**This may vary per household.*